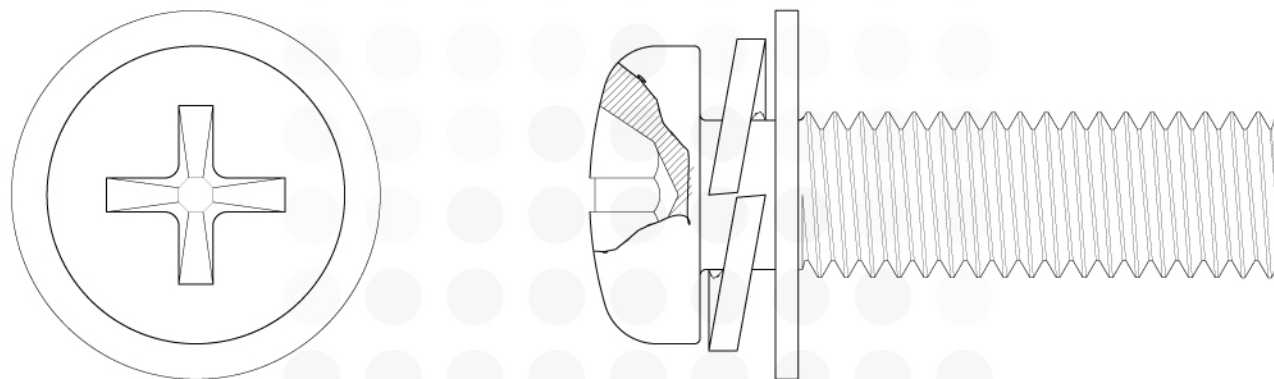


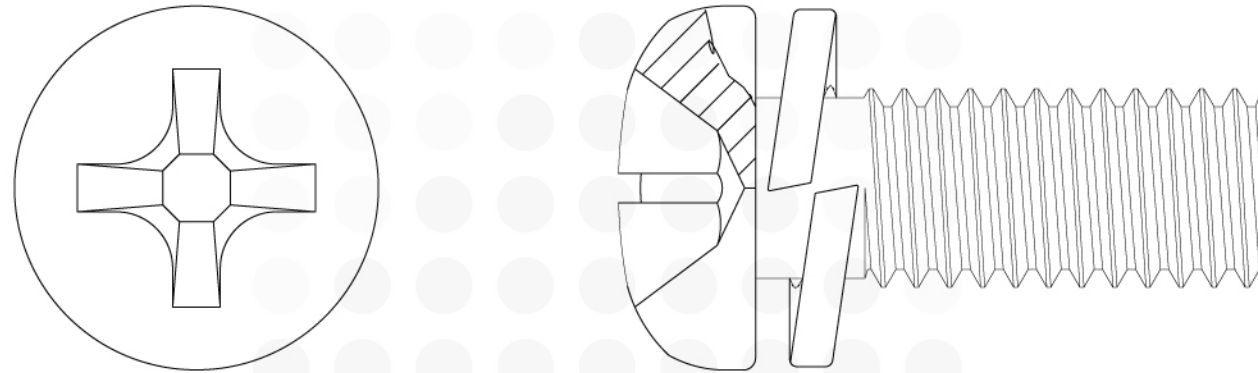
6/1



PHILLIPS RECESS PAN HEAD
MACHINE SCREWS WITH
WASHER

THAI UNION®
FASTENERS

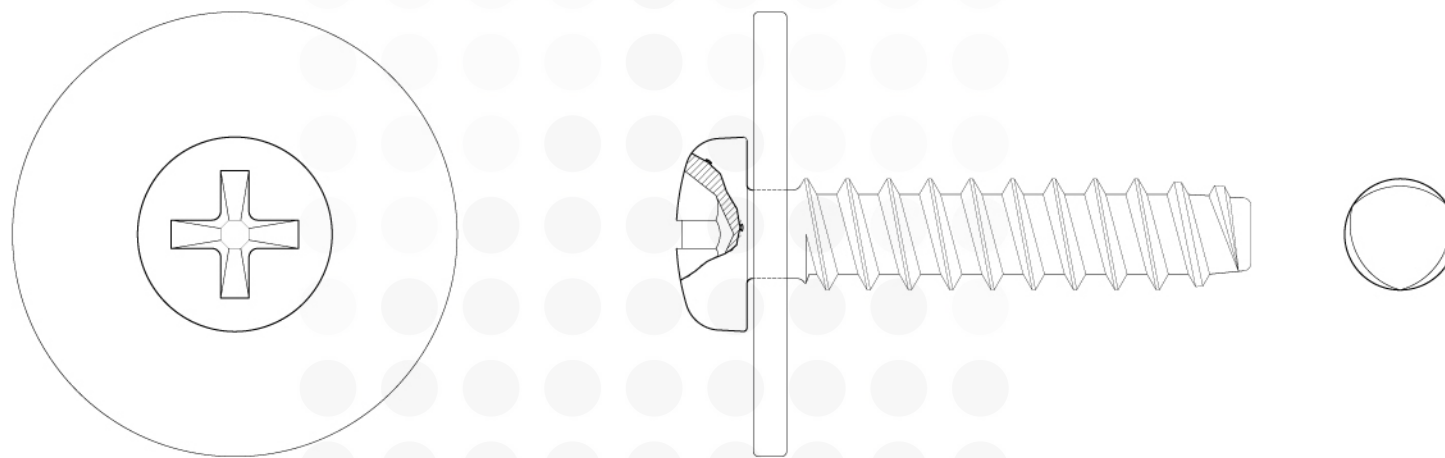
6/2



PHILLIPS RECESS PAN HEAD
MACHINE SCREWS WITH
WASHER

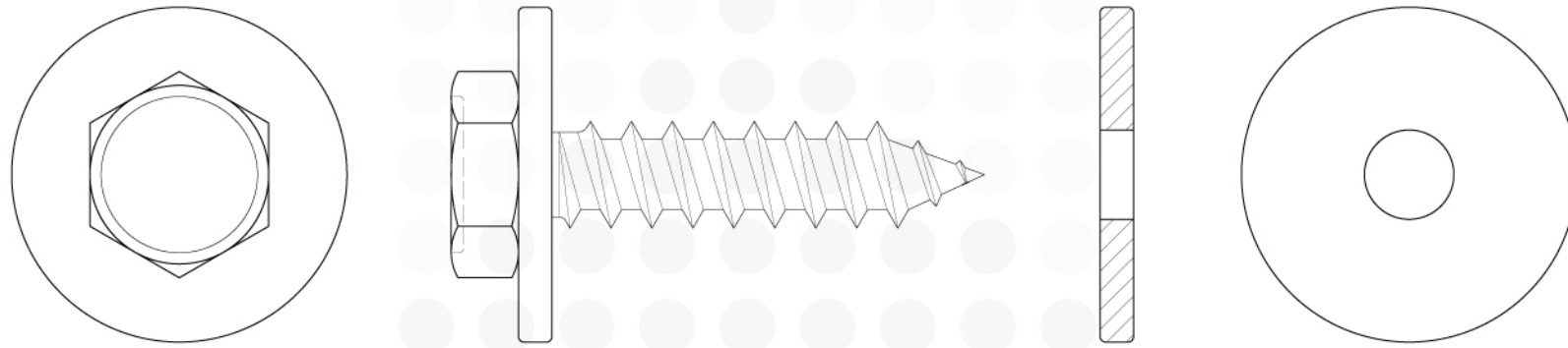
THAI UNION[®]
FASTENERS

6/3



PHILLIPS RECESS PAN HEAD
THREAD FORMING SCREWS (TYPE B)
WITH WASHER

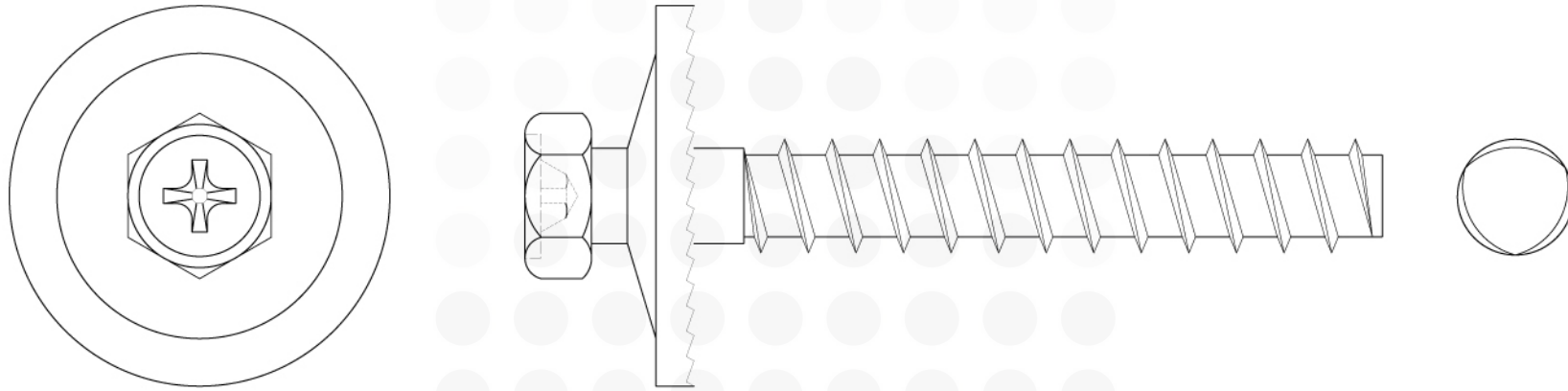
6/4



UNSLOATED INDENTED HEXAGON HEAD
SELF TAPPING SCREWS (SHARP POINT)
WITH WASHER

FRAT UNION
FASTENERS

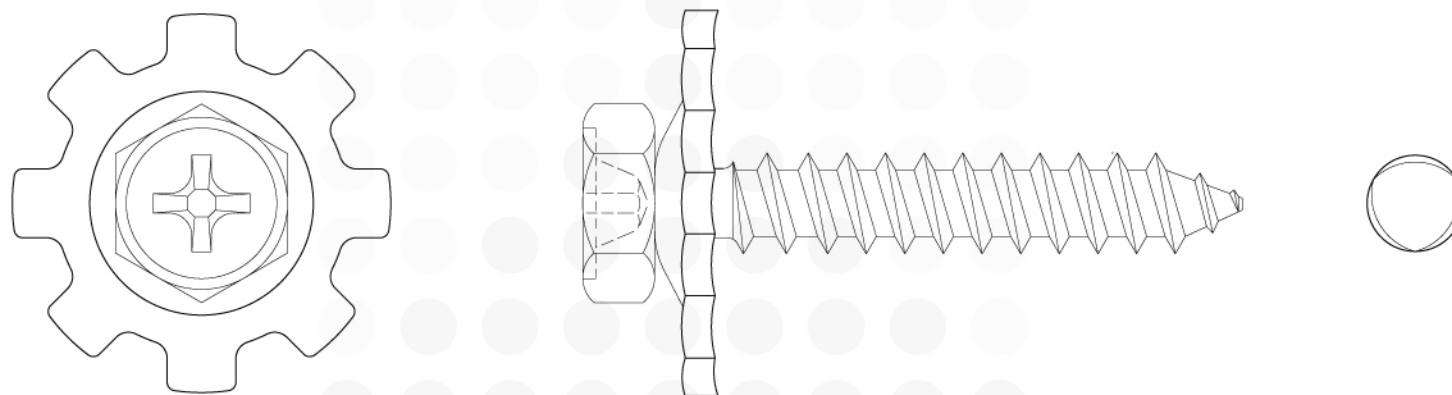
6/5



PHILLIPS RECESS HEXAGON HEAD
THREAD FORMING SCREWS
WITH THREAD WASHER

FASTENERS

6/6



PHILLIPS RECESS HEXAGON HEAD
THREAD FORMING SCREWS (TYPE AB)
WITH WASHER

THAI UNION®
FASTENERS