

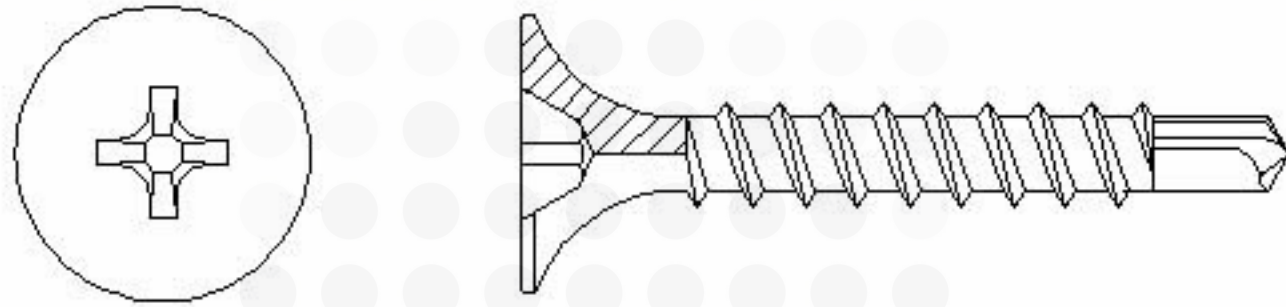
3/1



TORX RECESS COUNTERSUNK FLAT  
HEAD SELF DRILLING SCREWS  
(WITH 6 RIBS UNDER HEAD)

THAT UNION  
FASTENERS

3/2



PHILLIPS RECESS BUGLE HEAD  
DRYWALL SELF DRILLING SCREWS

THAI UNION®  
FASTENERS

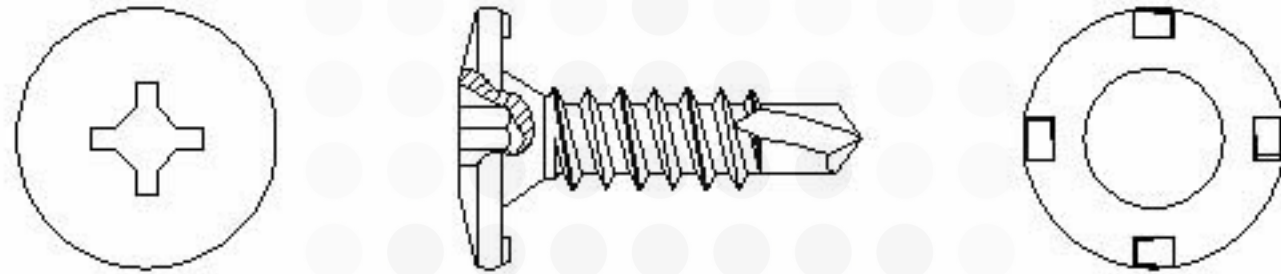
3/3



PHILLIPS RECESS PAN HEAD  
SELF DRILLING SCREWS

THAI UNION®  
FASTENERS

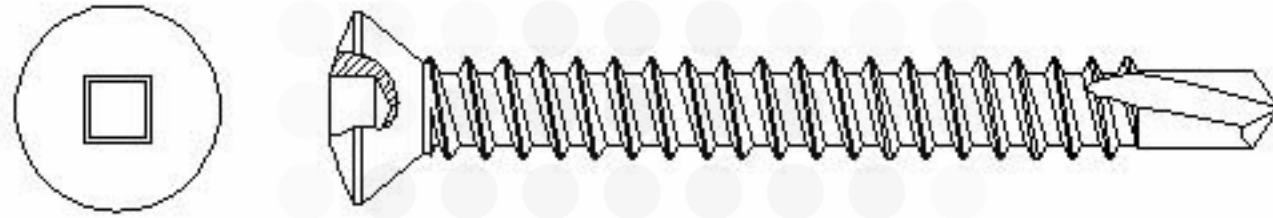
3/4



PHILLIPS & SQUARE COMBINATION  
RECESS TRUSS HEAD WITH  
SERRATIONS UNDER HEAD SELF  
DRILLING SCREWS

FASTENERS

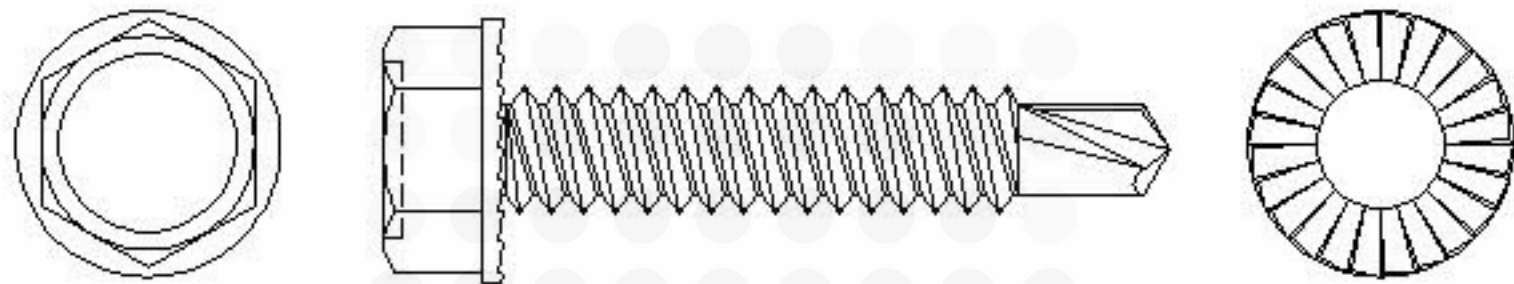
3/5



SQUARE SOCKET RECESS  
COUNTERSUNK OVAL HEAD  
SELF DRILLING SCREWS

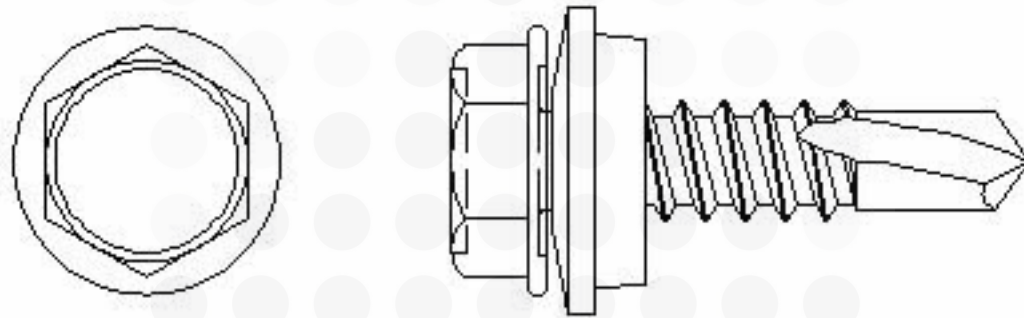
THAI UNION®  
FASTENERS

3/6



UNSLOTTED INDENTED HEX PRESSED  
WASHER HEAD WITH 24 LOCKING  
SERRATIONS UNDER THE HEAD SELF  
DRILLING SCREWS

3/7



INDENTED HEX WASHER HEAD WITH  
UNDERCUT SELF DRILLING SCREWS  
WITH OD EPDM BONDED WASHER

THAT UNION  
FASTENERS