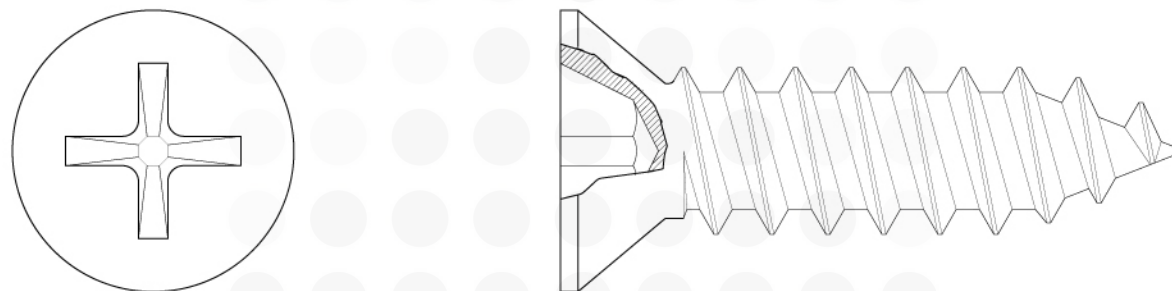


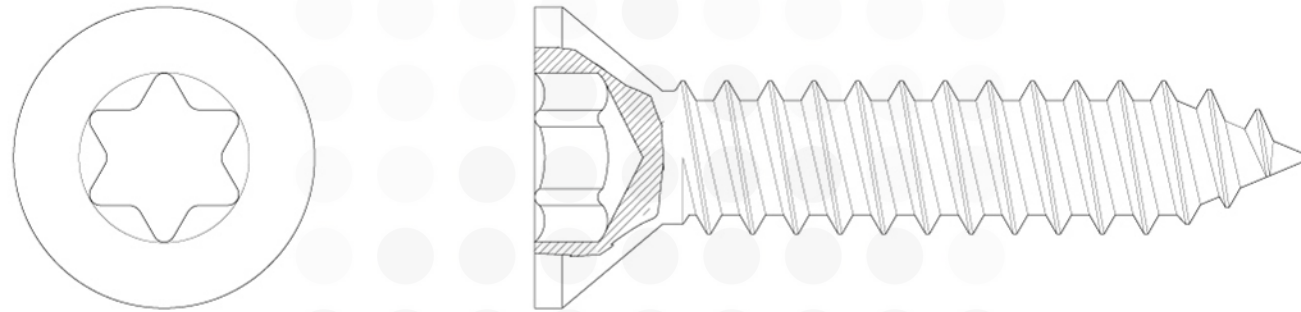
1/1



PHILLIPS RECESS COUNTERSUNK
FLAT HEAD SELF TAPPING SCREWS

THAI UNION®
FASTENERS

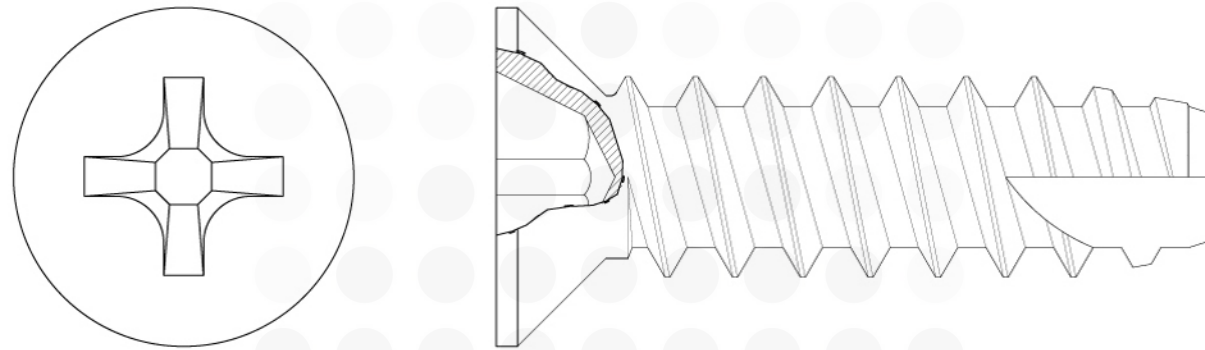
1/2



TORX RECESS COUNTERSUNK
FLAT HEAD SELF TAPPING SCREWS

THAI UNION®
FASTENERS

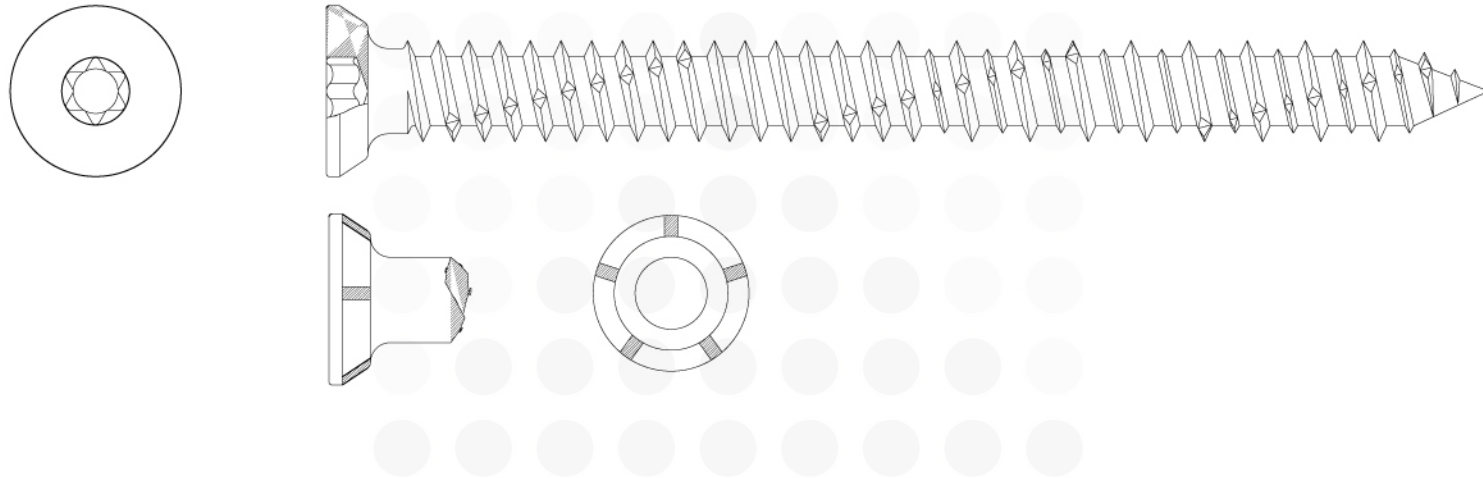
1/3



PHILLIPS RECESS COUNTERSUNK FLAT HEAD
SELF TAPPING SCREWS (TYPE BT)

THAT UNION®
FASTENERS

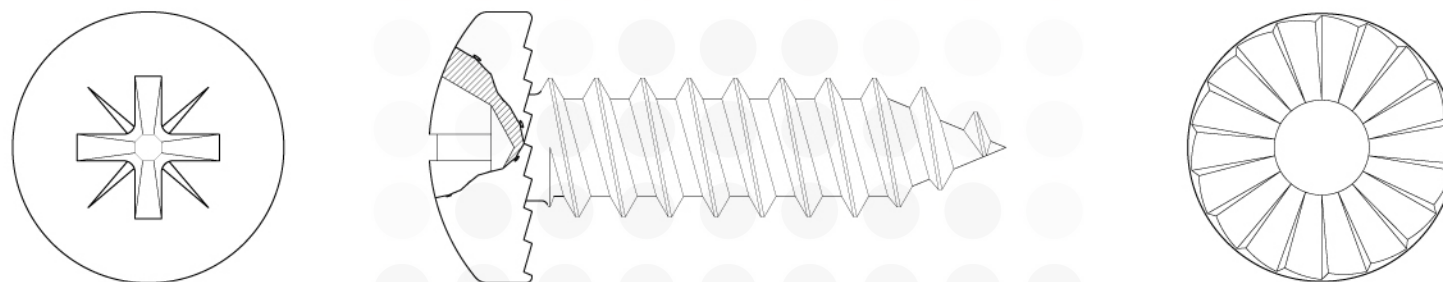
1/4



TORX RECESS COUNTERSUNK FLAT
HEAD (WITH 5 NIBS UNDER HEAD) DUAL
THREAD (HI-LO THREAD) CONCRETE
SCREWS WITH FLUTES IN THE THREAD

FASTENERS

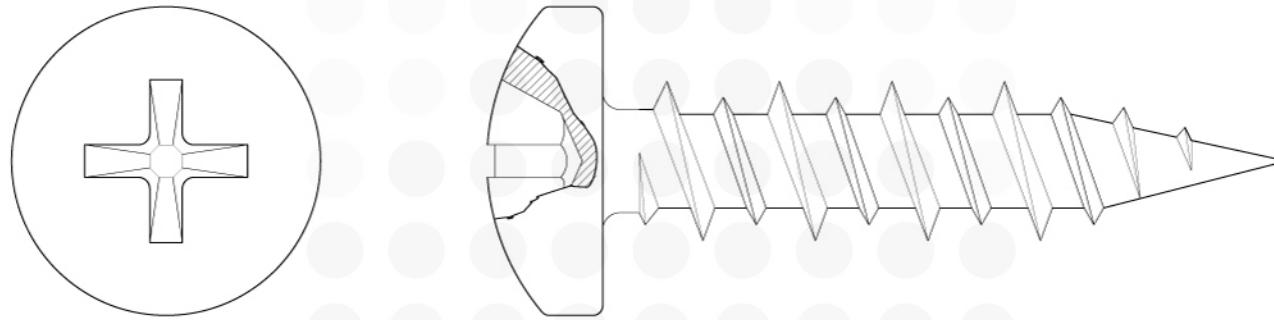
1/5



POZI RECESS PAN HEAD WITH 18
LOCKING SERRATIONS UNDER
THE HEAD SELF TAPPING SCREWS

THAT UNION
FASTENERS

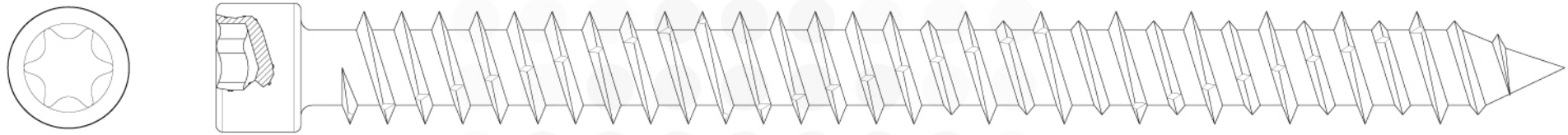
1/6



PHILLIPS RECESS PAN HEAD
SELF TAPPING SCREWS (TYPE Hi-Lo)

THE UNION
FASTENERS

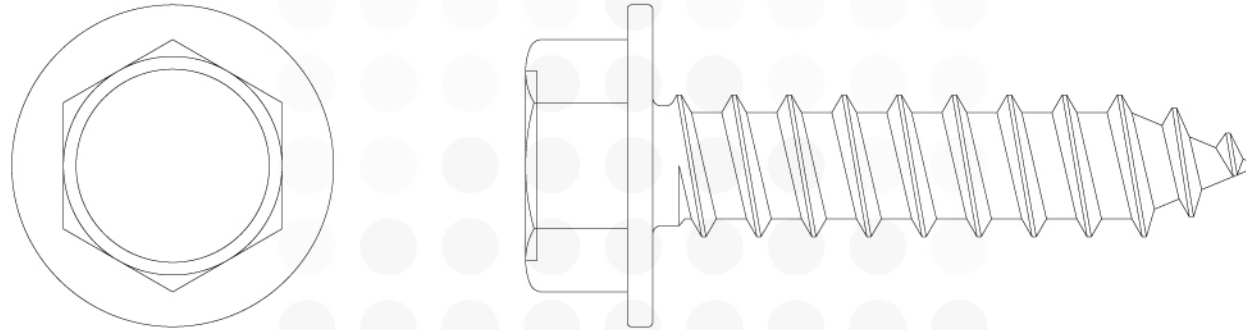
1/7



TORX RECESS PAN HEAD DUAL THREAD
(HI-LOW THREAD) CUTTING THREAD
CONCRETE SCREWS WITH FLUTES IN
THE THREAD

THAI UNION®
FASTENERS

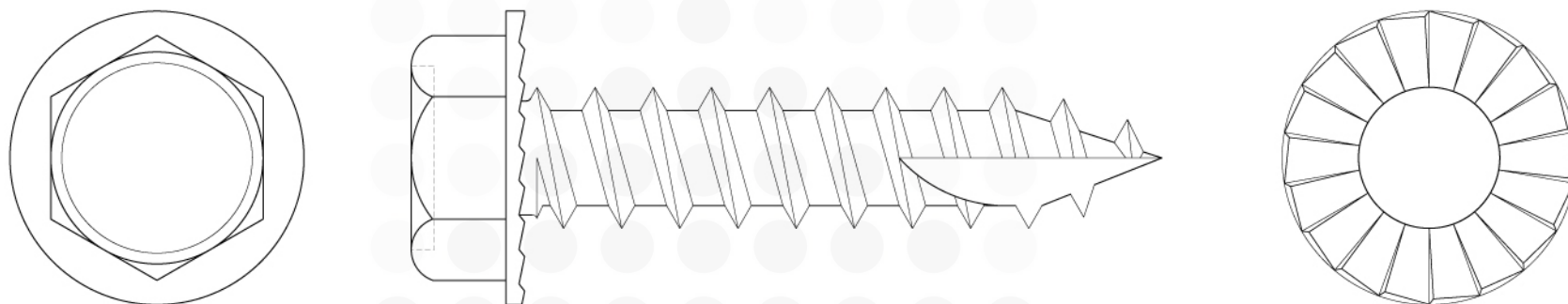
1/8



INDENTED HEX WASHER
HEAD SELF TAPPING SCREWS

THAI UNION®
FASTENERS

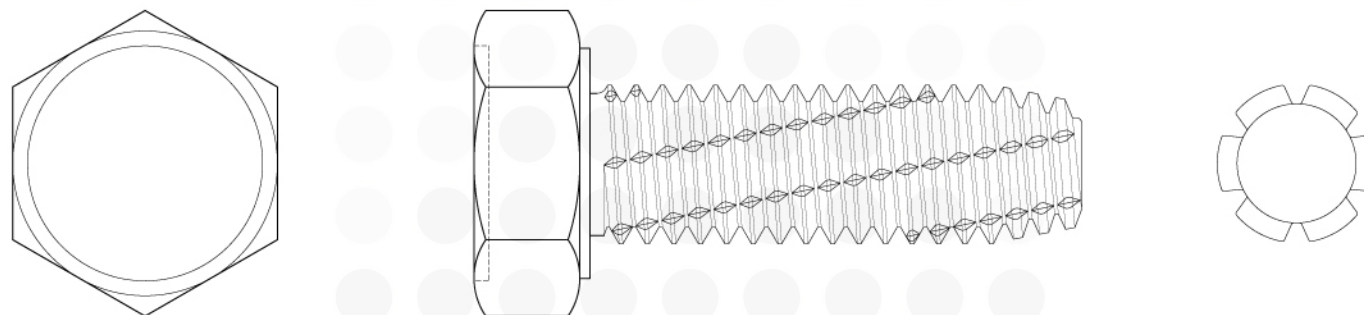
1/9



INDENTED HEX WASHER HEAD TYPE 17
WITH 18 SERRATIONS RADIUS UNDER
HEAD

THAT UNION[®]
FASTENERS

1/10



UNSLOTTED INDENTED HEXAGON
HEAD THREAD CUTTING SCREWS

THAI UNION[®]
FASTENERS